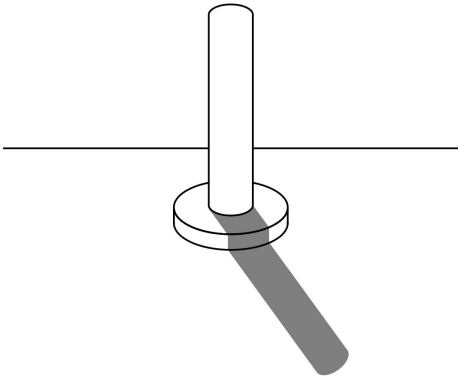


Knowledge catcher: Light and shadows

Some children stood a post upright in the playground and measured the shadow throughout the school day.



Time of day	Length of shadow (cm)
8 a.m. - morning	105
10 a.m.	65
12 p.m. - lunch	40
2 p.m.	52

1 What equipment should they use to measure the shadow?

2 Why does the post cast a shadow?

3 What happens to the size of the shadow from morning until lunch?

4 What do you think the length of the shadow would be at 4 p.m.? Why?
