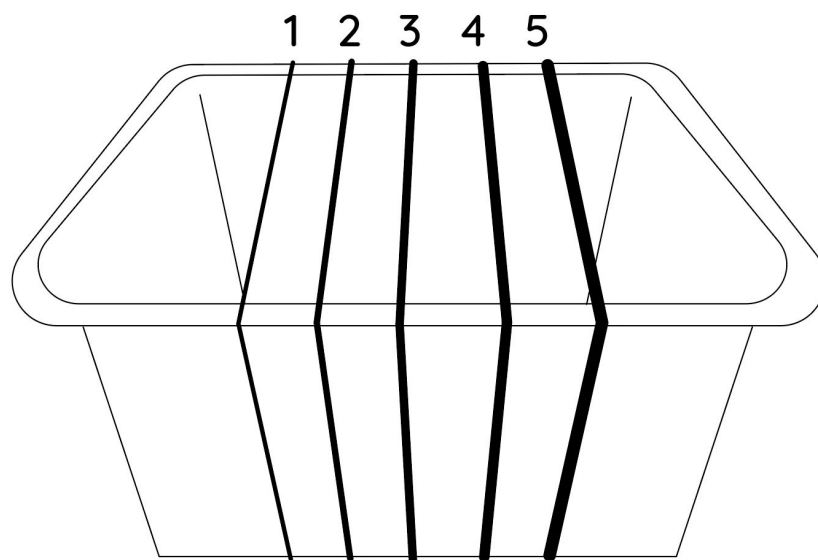


Date

Name

Knowledge and skills catcher: Sound and vibration

Some pupils make a string instrument out of five elastic bands of different thicknesses and a box.



Question

How can they change the volume at which they play the instrument?

Question

How can they change the pitch at which they play the instrument?
